

Schützing GmbH · Postfach 81 05 69 · 70522 Stuttgart

## Product launch information safety crocodile clip SAK 9230

Stuttgart, August 2024

Dear Sir or Madam,

It is our goal to always offer you innovative and high-quality products.  
We are therefore very pleased to inform you of this **significant change**.

We are excited to introduce you to the innovative **SAK 9230 safety crocodile clip**.  
It is the result of continuous technological development in our company and replaces the proven safety crocodile clips **SAK 6674** and **SAK 6675**.

In addition to its innovative spring technology without a torsion spring,  
the SAK 9230 also impresses through its modular structure.  
It can be plugged into standard 4 mm safety measuring leads as a stand-alone terminal or  
can be purchased ready-made with a cable.



The **most important features** of the SAK 9230 at a glance:

- New spring technology without torsion spring
- Increased clamping area
- Modular design for flexible applications
- Can be used as a stand-alone terminal or ready-made with a cable
- Attractive design
- Optimized ergonomics and haptics for comfortable handling
- Reliable and long-lasting function
- Possibility of mounting on a mounting plate; can also be arranged in a row
- Reduction of components for a sustainable use of resources

Experience the outstanding features for yourself and test the SAK 9230 extensively in your company. We would be happy to **provide you with samples**.

Detailed information about the technical specifications, areas of application and special features of the SAK 9230 can be found in the data sheet attached to this letter and on our website at **[www.schuetzinger.de](http://www.schuetzinger.de)**.

If you have any questions, e.g. about switching to the SAK 9230, please feel free to contact our sales team.

You can reach us by phone at **+49 711 – 715460** or by email at **[sales@schuetzinger.de](mailto:sales@schuetzinger.de)**.

Your specific requirements cannot be covered with standard products from testing and measurement technology?

No problem! We would be happy to develop customized solutions together with you, that meet your individual needs.

Our team of experts looks forward to meeting you and will be happy to advise you!

Technological progress sometimes requires understanding; we thank you for that.

It will be our pleasure to provide you with innovative solutions and to go into a more successful future together.

Kind regards from Stuttgart



Bernhard Schützinger  
CEO



Ursula Hansjosten  
CEO

### Sicherheits-Abgreifklemme

- innovative Federtechnik ohne Schenkelfeder: die außergewöhnliche Federtechnik gewährleistet eine zuverlässige und langlebige Funktionsweise
- optimale Ergonomie und Haptik: ermöglicht eine angenehme und komfortable Handhabung und liegt bequem in der Hand
- die Kunststoffteile bestehen aus UL-gelistetem Material
- größtmögliche Öffnung: Klemmbereich bis 34 mm
- zuverlässige Haltekraft, selbst bei langen Messstrecken
- durch Klemmbackentechnologie können auch feinste Drähte abgegriffen werden
- Ø 4 mm Steckanschluss zur Aufnahme von Ø 4 mm Sicherheitssteckern
- isoliert für einen sicheren Einsatz
- für eine fachgerechte Anwendung unserer Produkte müssen die Sicherheitshinweise in unserem Katalog beachtet werden

### Best.-Nr. SAK 9230 Ni / ..(Farbe)

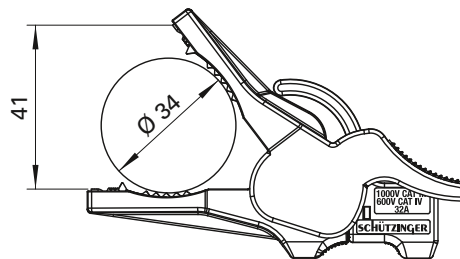
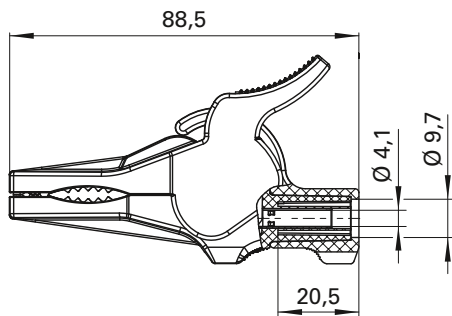
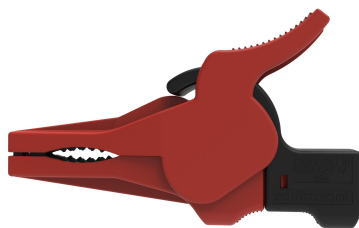
- Kontakteile **vernickelt**
- Isolierteile PA 6.6 (UL94-V2)
- **Farben** siehe Tabelle

### Safety crocodile clip

- innovative spring technology without torsion spring: the exceptional spring technology ensures reliable and long-lasting operation
- optimal ergonomics and haptics: enables pleasant and comfortable handling and fits comfortably in the hand
- the plastic parts are composed of UL-listed material
- widest possible opening: clamping range up to 34 mm
- reliable holding force, even with long measuring distances
- due to crocodile jaw technology, even the finest wires can be picked off
- Ø 4 mm plug connection to accept Ø 4 mm safety plugs
- insulated for safe use
- for a professional use of our products, the safety instructions in our catalogue must be observed

### Order No. SAK 9230 Ni / ..(colour)

- contact parts **nickel-plated**
- insulation PA 6.6 (UL94-V2)
- **colours** see table



Allgemeine Angaben		General information	
Best.-Nr. <sup>1)</sup>	SAK 9230 Ni / ..(Farbe) Kontakteile vernickelt	Order No. <sup>1)</sup>	SAK 9230 Ni / ..(colour) contact parts nickel-plated
Farben	schwarz, rot, blau, gelb, grün, grüngelb	colours	black, red, blue, yellow, green, greenyellow
Technische Daten		Technical data	
Anschluss	Sicherheitsbuchse	terminal	safety socket
Bemessungsspannung <sup>2)</sup>	1000 V CAT III / 600 V CAT IV	rated voltage <sup>2)</sup>	1000 V CAT III / 600 V CAT IV
Bemessungsstrom <sup>2)</sup>	32 A	rated current <sup>2)</sup>	32 A
Betriebstemperatur	von -25 °C bis +80 °C	operating temperature	from -25 °C to +80 °C

<sup>1)</sup> andere Farben auf Anfrage  
<sup>2)</sup> bei normalen Umgebungstemperaturen  
[www.schuetzinger.de](http://www.schuetzinger.de)

<sup>1)</sup> other colours on request  
<sup>2)</sup> at normal ambient temperatures